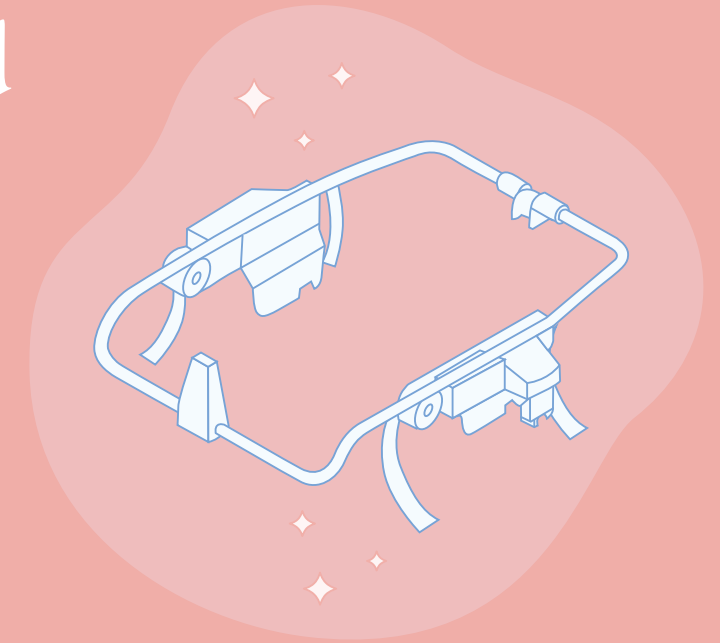


M192501.1

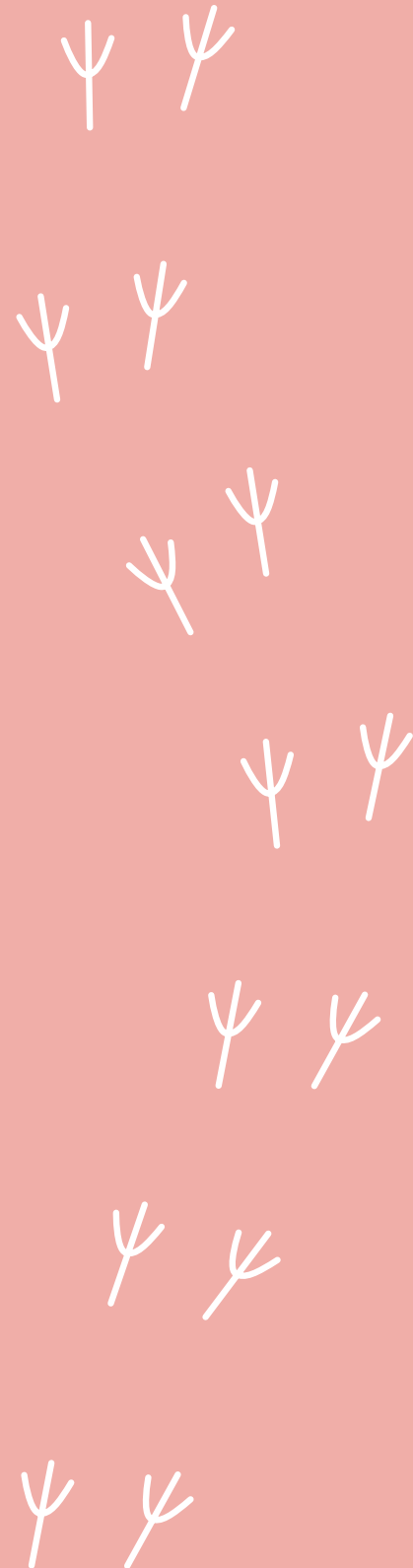


# Mockingbird Car Seat Adapter

Go from car to stroller and back again without missing a beat.

hellomockingbird.com

@hello\_mockingbird



# Warning

Please follow all of these instructions to ensure the safety of you and your child. Keep these instructions for future reference. Failure to follow these instructions could result in serious injury or death.

Avoid serious injury from falling or sliding out. Ensure that the child is properly positioned by following all warnings and instructions in the selected car seat manual.

This product is not from, sponsored or endorsed by Britax, Artsana S.p.A, Goodbaby International Holdings Ltd, Newell Brands Inc., or Graco Children's Products Inc.

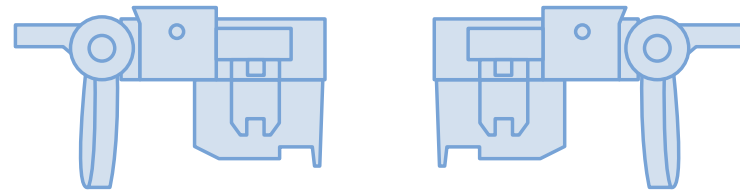
## **Choking Hazard**

Adult assembly required because of small parts. Keep (assembly parts) out of reach of children under 3 years.

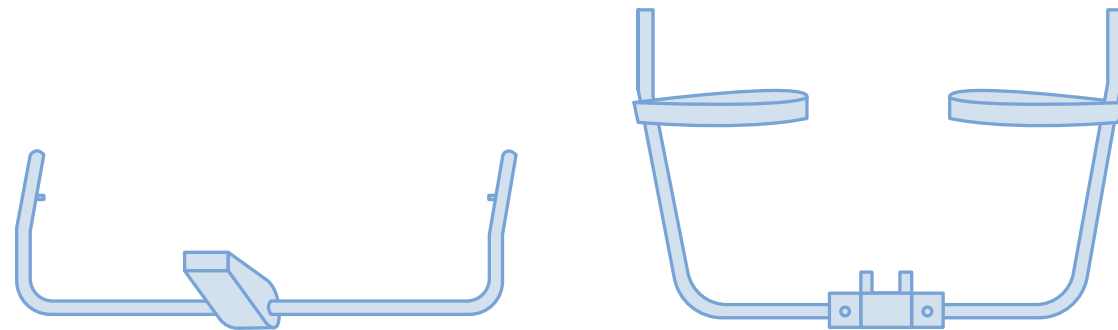
## **Caution**

- Always ensure the car seat is properly engaged with the adapter by listening for an audible 'click' and ensure that it is engaged by lifting up on both sides of the seat. Do not use the car seat if it is not properly engaged with the adapter.
- Do not use the Mockingbird 5-in-1 Car Seat Adapter without first consulting the instruction manual of your selected car seat.
- Consult your car seat manual for their maximum allowable occupant weight limit.
- Make sure all body parts are clear of the stroller when folding and unfolding.
- Do not run or jog with the stroller. For walking speed only.
- Never use the stroller on stairways or escalators.
- Never use the stroller with roller skates or in-line skates.
- Never leave children unattended in this product.
- Do not use the car seat adapter if any part is broken, damaged or missing.
- Always dock the car seat so that the child is facing inward towards the person pushing the stroller.
- Make sure the stroller is fully erect and latched in the open and locked position prior to installation of the adapter and use.
- The maximum weight that can be carried in the lower basket is 25 lbs. Placing excessive weight in the unit or on the unit (e.g., purses, shopping bags, parcels, diaper bags, or accessory items) may change the balance of the stroller and cause hazardous/unstable conditions.
- Never allow the stroller to be used as a toy.
- This stroller, when used in combination with the car seat, is not intended for prolonged or overnight sleep. Should your child need to sleep or nap, utilize our sleep-approved Bassinet or other sleep-approved surface.
- The car seat models compatible with this product may change.
- Once attached to the stroller, do not lift or carry the stroller using the car seat.
- Velcro straps are required with ALL compatible Evenflo models - Failure to use the straps may result in hazardous/unstable conditions.

# First, unpack the box and make sure you've got everything



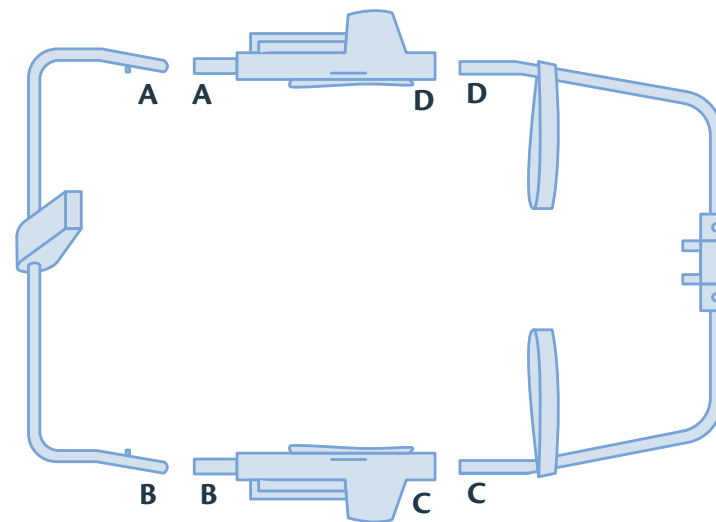
2 x Adapter Hubs (L and R)



U - Bars (Little and Big)

## 1 Assemble your Mockingbird Car Seat Adapter

Find the corresponding letters on the Big and Little U-Bars and match them up to corresponding letters on the Adapter Hubs. You'll be connecting parts using their matching letters.



To connect the bars to the Adapter Hubs, press down on the metal button and insert the bar into the corresponding adapter hub until you hear an audible 'CLICK'. Make sure to use the corresponding letters to ensure that the bars are installed in the correct orientation. You can also confirm the right orientation if the letters are all lined up on one side of the Adapter (as opposed to some parts having the letters face down and others having them face up).

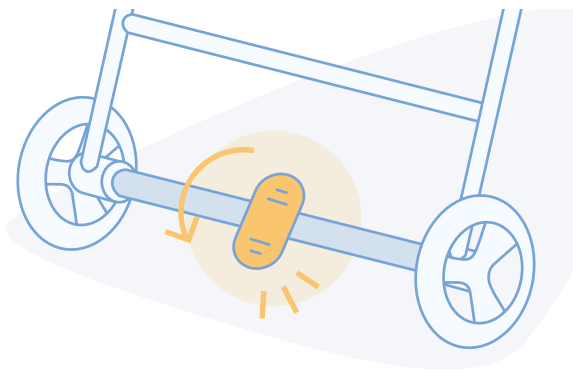
Complete these steps for both the Big and Little U-Bars.



# 2 Prepare your stroller

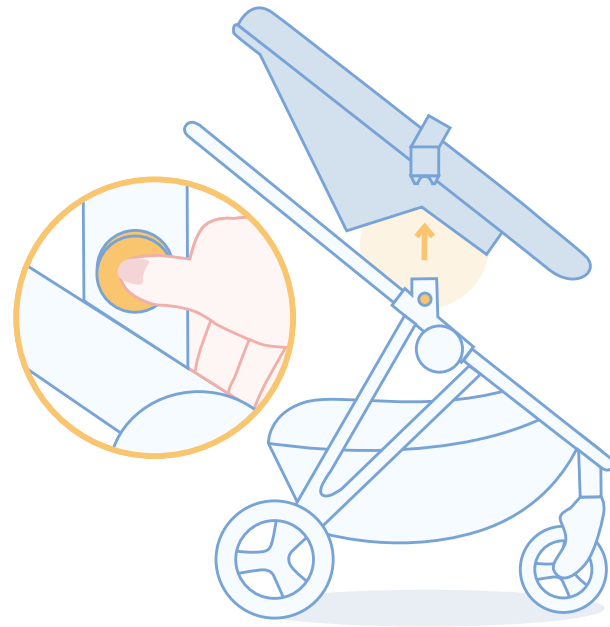
## Engage the brake

Push downward on the brake to lock your stroller in-place.



## Remove your seat

If you have your stroller seat attached, push the white buttons on both sides of the seat and pull up to fully remove.

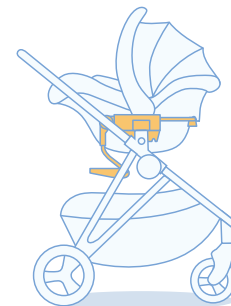


### Pro Tip

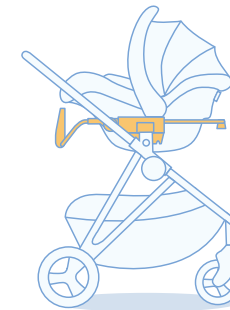
If you're strolling with two kiddos, make sure you're set up with your 2nd Seat Kit as well!

# Let's get strolling...

We know every member of our flock is unique, so the Mockingbird Car Seat Adapter is compatible with multiple car seat brands. To get started, find your car seat brand below, flip to that page and follow the easy steps to get strolling with your car seat.



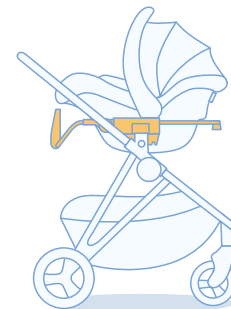
**5** Britax



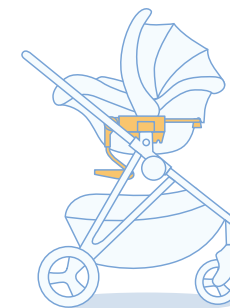
**9** Chicco



**13** Evenflo



**17** Graco



**21** Baby Jogger

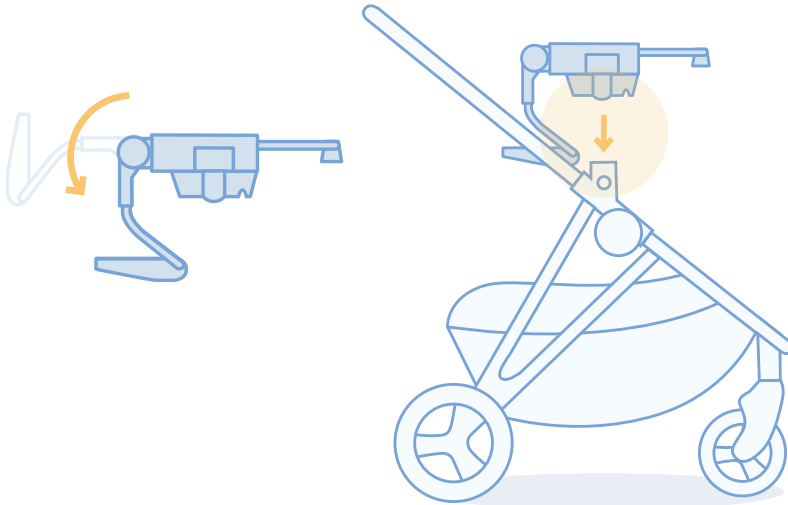


# Britax Car Seats

## 1 Attach the Car Seat Adapter

### Line up the adapter

Hold the Car Seat Adapter so that the short end with the vertical plastic component is at the back of the stroller (the same end as the handlebar). Press both buttons located on the sides of the adapter and rotate the support bar downward.



### Attach the adapter

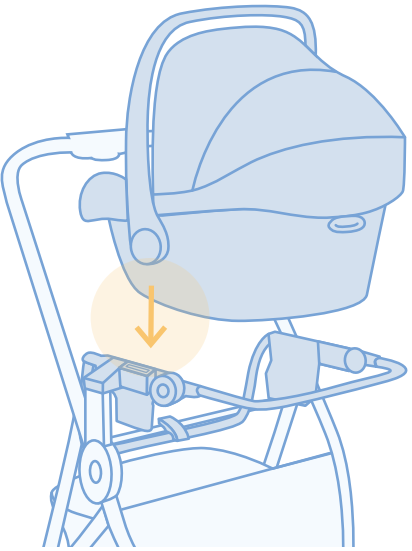
Place your Car Seat Adapter into the right and left joints. You will hear it “CLICK” into place.



## 2 Attach the Infant Car Seat

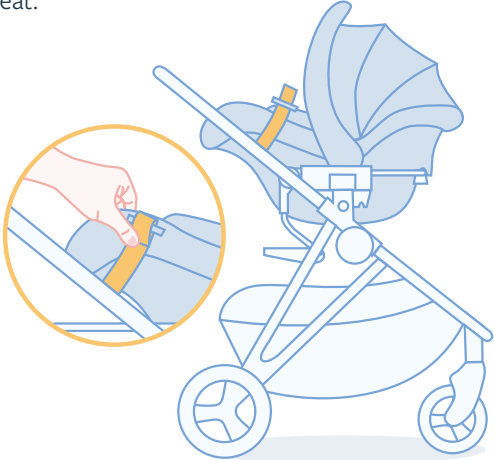
### Attach the car seat

With your car seat facing the handlebar, place it onto the Car Seat Adapter until you hear it “CLICK” into place.



### Add extra support

For extra support and stability, velcro straps are available and can be secured to the car seat belt path on both sides of the car seat.



### Pro Tip

If you're folding your stroller, you can leave one (or two!) Car Seat Adapters attached. But don't forget to remove the car seat itself!

# 3 Remove the Infant Car Seat and Adapter

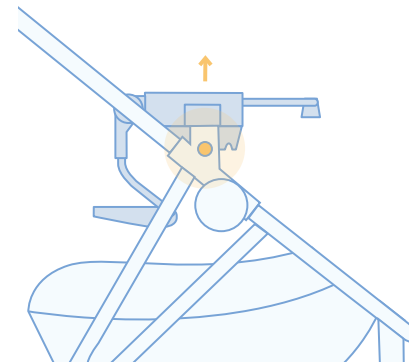
## Remove the car seat

Undo the velcro straps. Pull up on the latch at the back of the car seat and lift the seat off the adapter. The adapter should stay attached to your stroller frame.



## Remove the Car Seat Adapter

Remove the Car Seat Adapter from your stroller by pressing the white buttons on each side of the Frame (or 2nd Seat Kit Adapters) and lifting it off of the frame.



### Important!

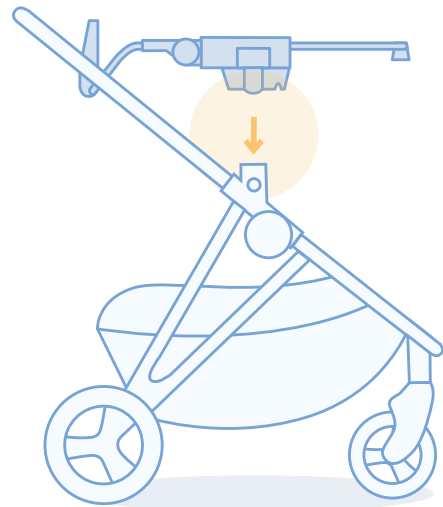
The adapter should stay attached to your stroller frame when you remove the car seat. If they come off together, reconnect the adapter to the frame and remove the car seat first.

# Chicco Car Seats

## 1 Attach the Car Seat Adapter

### Line up the adapter

Hold the Car Seat Adapter so that the short end with the vertical plastic component is at the back of the stroller (the same end as the handlebar).



### Attach the adapter

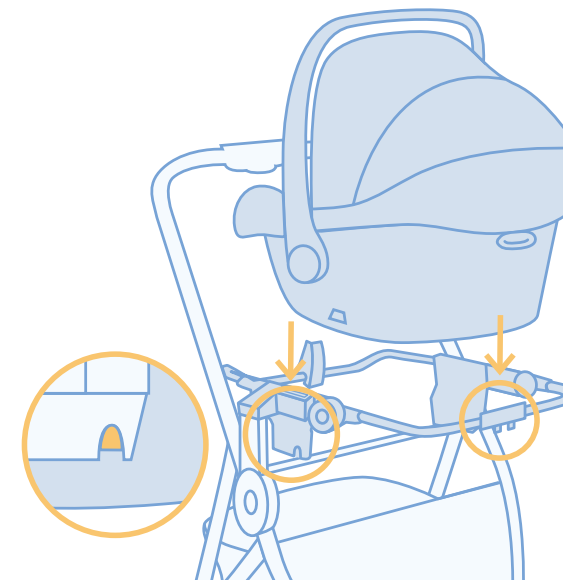
Place your Car Seat Adapter into the right and left joints. You will hear it “CLICK” into place.



## 2 Attach the Infant Car Seat

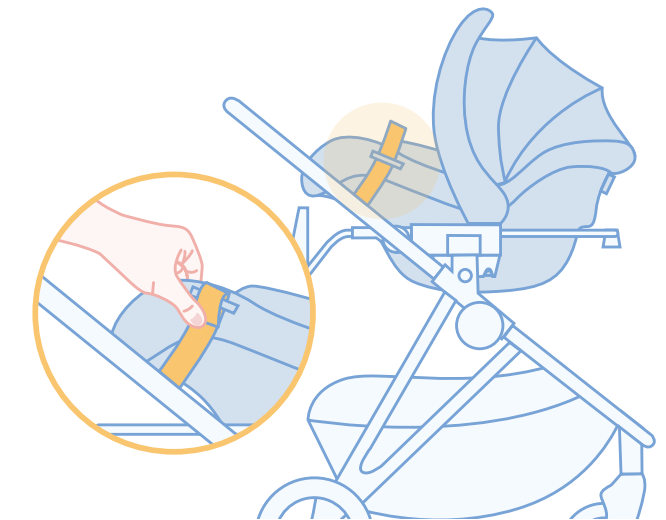
### Attach the car seat

With your car seat facing the handlebar, place it onto the Car Seat Adapter until you hear it “CLICK” into place.



### Add extra support

For extra support and stability, velcro straps are available and can be secured to the car seat belt path on both sides of the car seat.



### Pro Tip

If you're folding your stroller, you can leave one (or two!) Car Seat Adapters attached. But don't forget to remove the car seat itself!

# 3 Remove the Infant Car Seat and Adapter

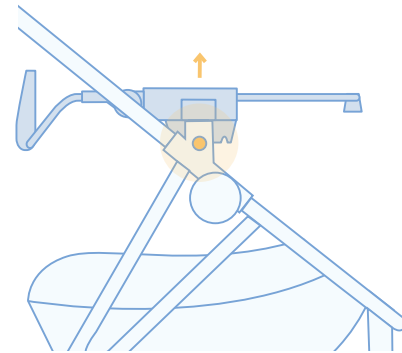
## Remove the car seat

Undo the velcro straps. Pull up on the latch at the back of the car seat and lift the seat off the adapter. The adapter should stay attached to your stroller frame.



## Remove the Car Seat Adapter

Remove the Car Seat Adapter from your stroller by pressing the white buttons on each side of the Frame (or 2nd Seat Kit Adapters) and lifting it off of the frame.



### Important!

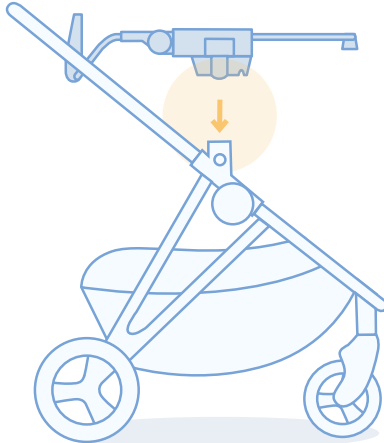
The adapter should stay attached to your stroller frame when you remove the car seat. If they come off together, reconnect the adapter to the frame and remove the car seat first.

# Evenflo Car Seats

## 1 Attach the Car Seat Adapter

### Line up the adapter

Hold the Car Seat Adapter so that the short end with the vertical plastic component is at the back of the stroller (the same end as the handlebar).



### Attach the adapter

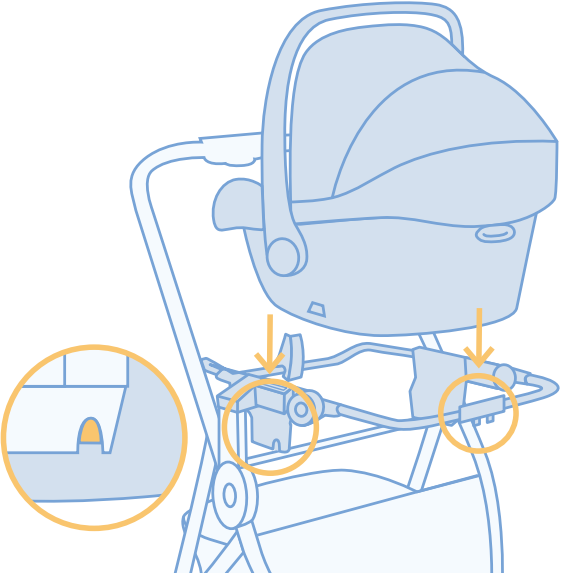
Place your Car Seat Adapter into the right and left joints. You will hear it “CLICK” into place.



## 2 Attach the Infant Car Seat

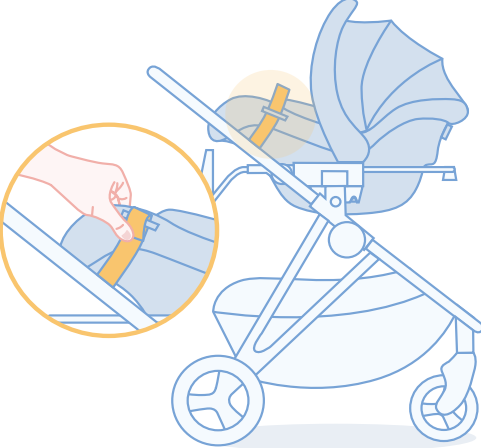
### Attach the car seat

With your car seat facing the handlebar, place it onto the Car Seat Adapter until you hear it “CLICK” into place.



### Secure the car seat

Attach the velcro straps to the hooks on the front of the car seat (near the handlebar) and you're ready to stroll!



**Important!**  
For Evenflo Litemax press both buttons located on the sides of the adapter and rotate the support bar downward. As shown for Britax models on Page 5.

**Important!**  
Velcro straps are required with ALL compatible Evenflo models - Failure to use the straps may result in hazardous/unstable conditions

**Pro Tip**  
If you're folding your stroller, you can leave one (or two!) Car Seat Adapters attached. But don't forget to remove the car seat itself!

# 3 Remove the Infant Car Seat and Adapter

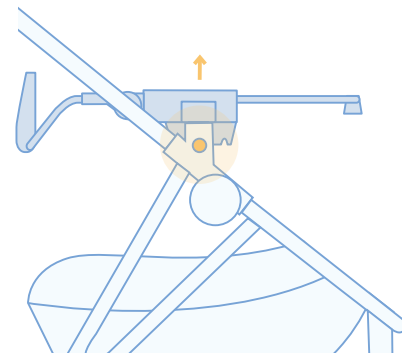
## Remove the car seat

Undo the velcro straps. Pull up on the latch at the back of the car seat and lift the seat off the adapter. The adapter should stay attached to your stroller frame.



## Remove the Car Seat Adapter

Remove the Car Seat Adapter from your stroller by pressing the white buttons on each side of the Frame (or 2nd Seat Kit Adapters) and lifting it off of the frame.



### Important!

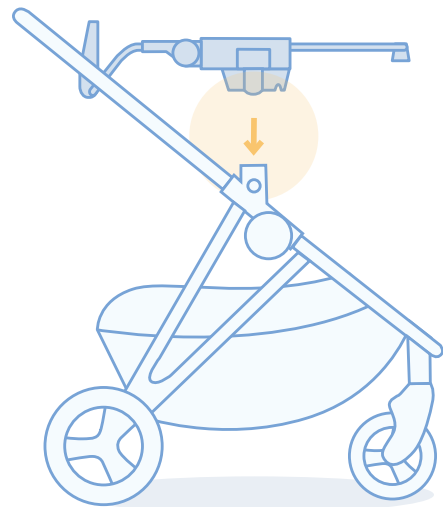
The adapter should stay attached to your stroller frame when you remove the car seat. If they come off together, reconnect the adapter to the frame and remove the car seat first.

# Graco Car Seats

## 1 Attach the Car Seat Adapter

### Line up the adapter

Hold the Car Seat Adapter so that the short end with the vertical plastic component is at the back of the stroller (the same end as the handlebar).



### Attach the adapter

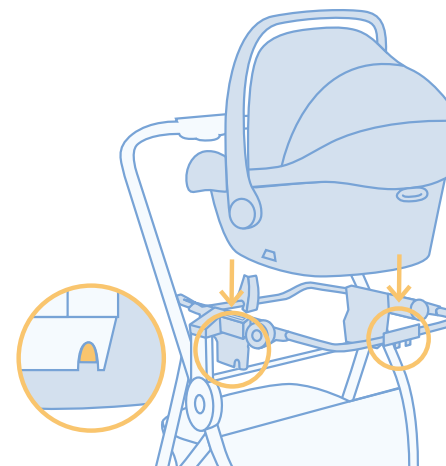
Place your Car Seat Adapter into the right and left joints. You will hear it “CLICK” into place.



## 2 Attach the Infant Car Seat

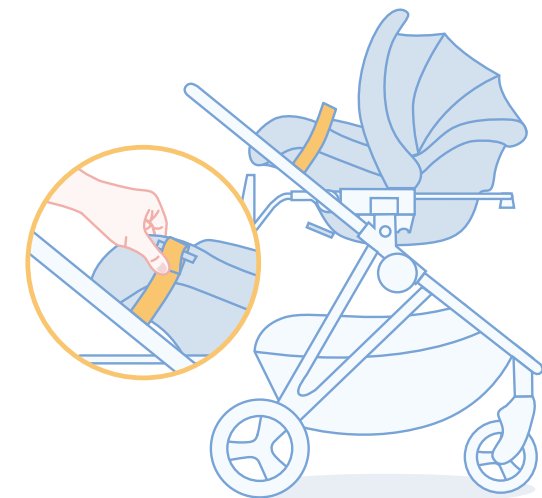
### Attach the car seat

With your car seat facing the handlebar, place it onto the Car Seat Adapter until you hear it “CLICK” into place.



### Add extra support

For extra support and stability, velcro straps are available and can be secured to the car seat belt path on both sides of the car seat.



### Pro Tip

If you're folding your stroller, you can leave one (or two!) Car Seat Adapters attached. But don't forget to remove the car seat itself!

# 3 Remove the Infant Car Seat and Adapter

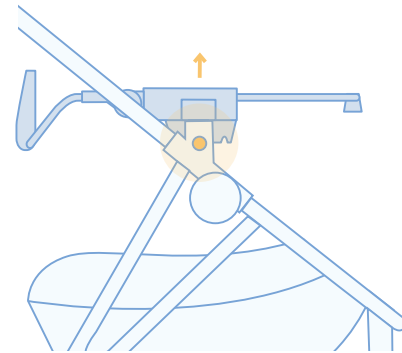
## Remove the car seat

Undo the velcro straps. Pull up on the latch at the back of the car seat and lift the seat off the adapter. The adapter should stay attached to your stroller frame.



## Remove the Car Seat Adapter

Remove the Car Seat Adapter from your stroller by pressing the white buttons on each side of the Frame (or 2nd Seat Kit Adapters) and lifting it off of the frame.



### Important!

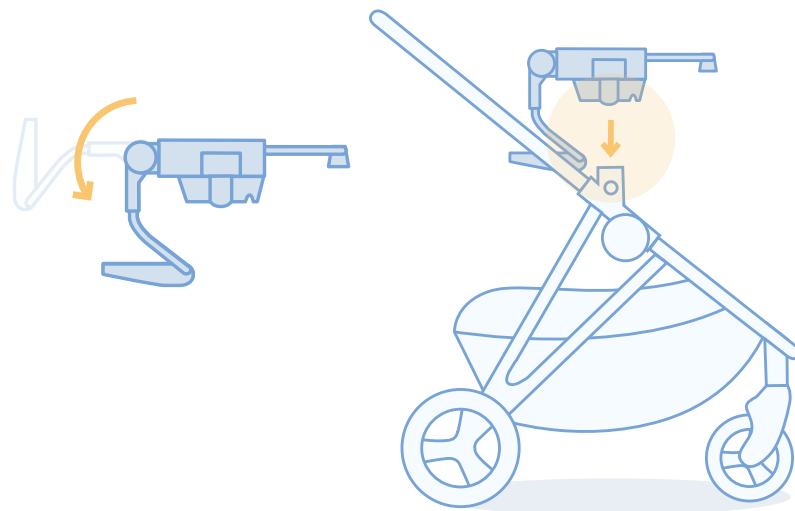
The adapter should stay attached to your stroller frame when you remove the car seat. If they come off together, reconnect the adapter to the frame and remove the car seat first.

# Baby Jogger Car Seats

## 1 Attach the Car Seat Adapter

### Line up the adapter

Hold the Car Seat Adapter so that the short end with the vertical plastic component is at the back of the stroller (the same end as the handlebar). Press both buttons located on the sides of the adapter and rotate the support bar downward.



### Attach the adapter

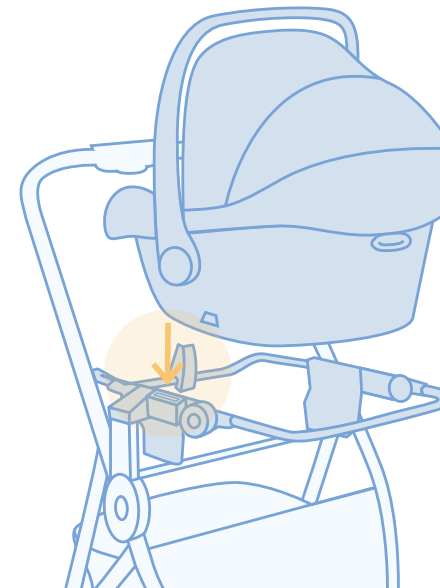
Place your Car Seat Adapter into the right and left joints. You will hear it “CLICK” into place.



## 2 Attach the Infant Car Seat

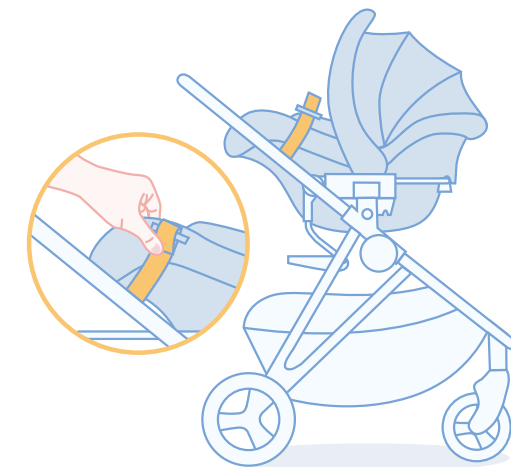
### Attach the car seat

With your car seat facing the handlebar, place it onto the Car Seat Adapter until you hear it “CLICK” into place.



### Add extra support

For extra support and stability, velcro straps are available and can be secured to the car seat belt path on both sides of the car seat.



### Pro Tip

If you're folding your stroller, you can leave one (or two!) Car Seat Adapters attached. But don't forget to remove the car seat itself!

# 3 Remove the Infant Car Seat and Adapter

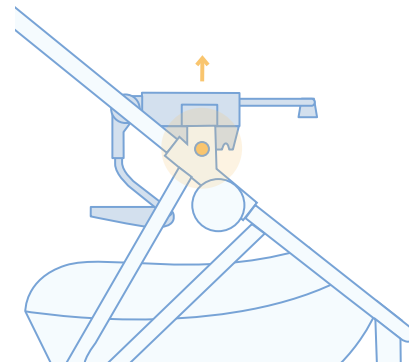
## Remove the car seat

Undo the velcro straps. Pull up on the latch at the back of the car seat and lift the seat off the adapter. The adapter should stay attached to your stroller frame.



## Remove the Car Seat Adapter

Remove the Car Seat Adapter from your stroller by pressing the white buttons on each side of the Frame (or 2nd Seat Kit Adapters) and lifting it off of the frame.



### Important!

The adapter should stay attached to your stroller frame when you remove the car seat. If they come off together, reconnect the adapter to the frame and remove the car seat first.

# When things get messy

## Cleaning the Car Seat Adaptor



Hand wash with damp cloth and mild detergent if needed